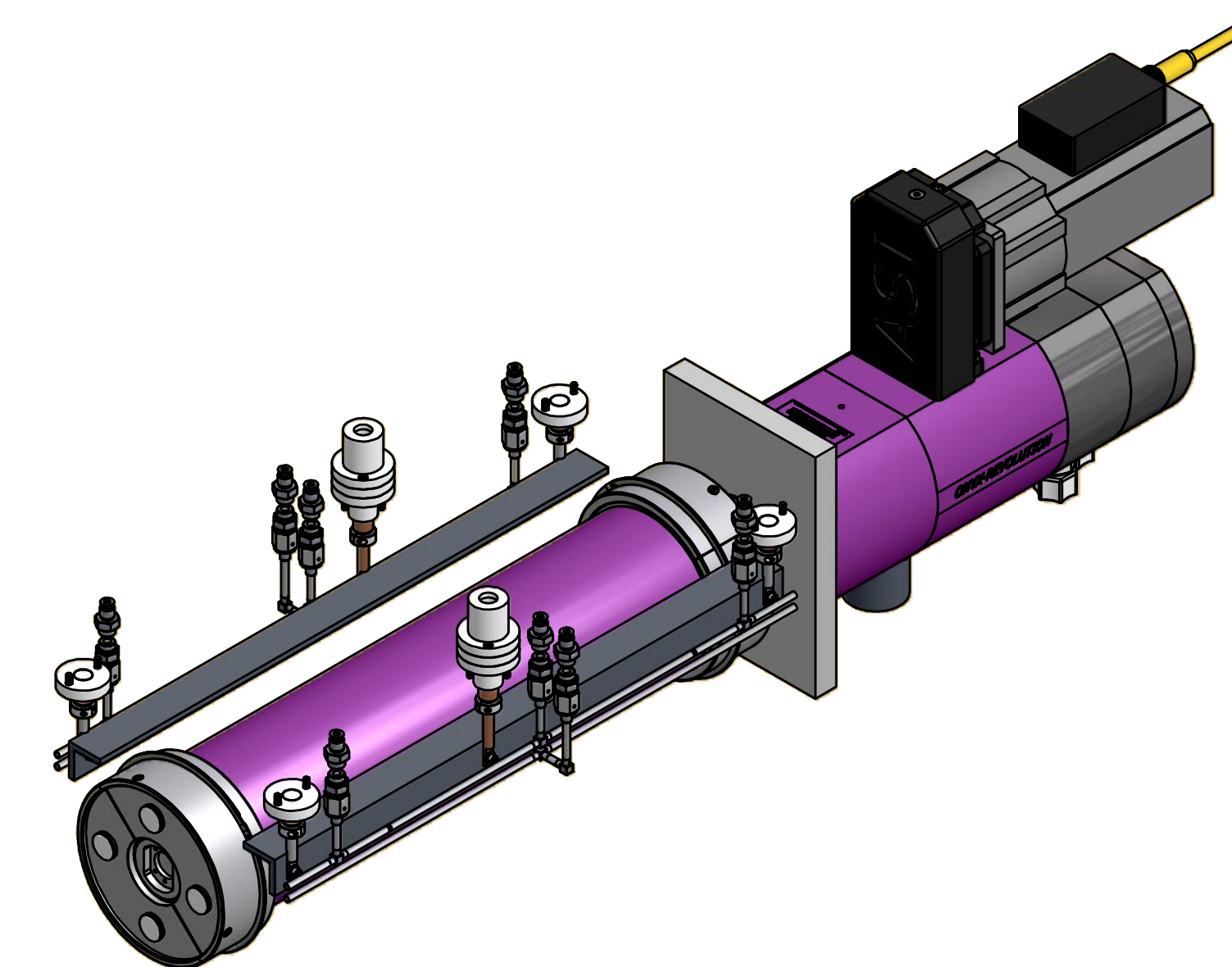


SEAL FACE DETAIL



REVOLUTION SIDE-MOUNT CYLINDRICAL - SINGLE

UNITS: INCHES

NO.	DATE	REVISION	BY	TOLERANCES (UNLESS OTHERWISE SPECIFIED)	CONFIDENTIAL	SCALE: 1/4	ANGSTROM SCIENCES, INC.	
				LINEAR (IN.)	NOTICE: THE INFORMATION CONTAINED HEREIN IS PROPERTY OF ANGSTROM SCIENCES, INC. DUCQUESNE, PA AND CONTAINS PROPRIETARY INFORMATION WHICH HAS BEEN SUBMITTED TO YOU IN CONFIDENCE FOR A SPECIFIC PURPOSE. COPYING, USING OR DISCLOSING THIS DRAWING OR THE INFORMATION ON IT WITHOUT ANGSTROM SCIENCES PRIOR WRITTEN CONSENT BY AN APPROVED REPRESENTATIVE IS PROHIBITED AND MAY BE GROUNDS FOR LEGAL ACTION. PATENTABLE DESIGN FEATURES ARE PROTECTED BY UNITED STATES PATENT LAWS.	DATE: 8/29/2017	TITLE:	
				FRACTIONAL = ± 1/64		DRAWN BY: jlowmaster	DATE:	
				2 PLACE DECIMAL = ± 0.01		CHKD BY:	DATE:	
				3 PLACE DECIMAL = ± 0.005		APVL BY:	DATE:	
				4 PLACE DECIMAL = ± 0.0005				
				ANGULAR		SHEET 1 OF 1	DRAWING NUMBER: 4500	
				DEGREES = ± 1'			REV. SIZE	
				DEGS. MINS = ± 00' 30"			D	